

Electronic transformers

ET-E 60 220-240V 50/60Hz

A high frequency electronic transformer for operation with 12V halogen lamps. It is fully IEC compliant with unique compact size and light weight

Warnings and Safety

- Transformer is not suitable for DC operation

Product data

Operating and Electrical	
Input Voltage	220 to 240 V
Line Frequency	50 to 60 Hz
Input Frequency	50 to 60 Hz
Inrush Current Peak (Max)	15 A

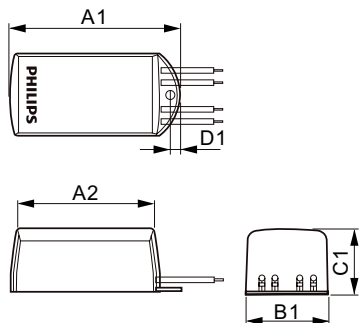
Wiring	
Cable Length From Device to Lamp	1.5 m

Temperature	
Ambient temperature range	-20 °C to 50 °C
T-Case Maximum (Max)	65 °C

Product Data	
Full product code	697013372901400
Order product name	ET-E 60 220-240V 50/60Hz
Order code	913710031101
Numerator - Quantity Per Pack	1
Numerator - Packs per outer box	48
Material number (12NC)	913710031101
Full product name	ET-E 60 220-240V 50/60Hz
EAN/UPC - Case	6970133729021

Electronic transformers

Dimensional drawing



Product	D1	C1	A1	B1
ET-E 60 220-240V 50/60Hz	4.4 mm	24.5 mm	76.0 mm	38.0 mm

