

LEDVANCE Luminaires

DUAL SELECTABLE POST TOP LUMINAIRE

PERFORMANCE CLASS™

Application

Offering a modern aesthetic and dual selectability, this luminaire boasts four distribution options. Each model offers three wattage and CCT choices enabled via the switches on the top of the luminaire. Reducing light pollution without sacrificing security in both urban and natural outdoor applications, this luminaire offers substantial energy savings when compared to traditional technologies.

Benefits and Features

- Durable, long lasting product with IK08 rated, UV stabilized polycarbonate lens and IP65 rated housing
 - Bronze finish (RAL # 8019) standard, additional finishes are available
- DLC 5.1 Standard listing ensures maximum rebate opportunities
- Optional photocell offers additional energy savings
- Up to 105 LPW
- 3000K, 4000K and 5000K selectable color temperature
- CRI >70
- Selectable wattage and lumens:
 - 40/50/60W | 5,400/6,800/8,100 lm
 - 70/80/90W | 7,3500/8,400/12,000 lm
 - 100/120/155W | 13,600/16,000/20,500 lm
 - Offered in Type II, III, IV and V distributions
- Energy savings up to 71%

Electrical

- 120-347VAC
- Power Factor >90%
- THD <20%
- 10kV surge suppression
- 0-10V dimmable

Rated Life

- 130,000 hours (L₇₀)

Warranty

- 5-year
- NLB Trusted Warranty Program

Ambient Operating Range

- -40°F to +102°F (-40°C to +40°C)



Wattage Comparison

Traditional Source	Traditional System Wattage	LED System Wattage	Energy Savings
70W HPS	91	40	56%
100W HPS	120	40	67%
100W MH	130	40	69%
150W HPS	170	40	76%
150W MH	188	40	79%
150W HPS	170	60	65%
150W MH	188	60	68%
175W MH	210	60	71%
150W HPS	170	90	47%
150W MH	188	90	52%
175W MH	210	90	57%
250W MH	290	90	69%
250W HPS	295	90	69%
250W MH	290	155	48%
250W HPS	295	155	49%
320W MH	370	155	59%
400W HPS	460	155	67%
400W MH	450	155	67%

Certifications and Listings

- cULus wet located rated
- IP65
- RoHS
- DLC 5.1 Standard
- FCC
- Dark Sky Compliant*

*Dark Sky Compliant when using 3000K.

Installation

- Compatible with round poles with a standard 2-3/8"-2-7/8" tenon top



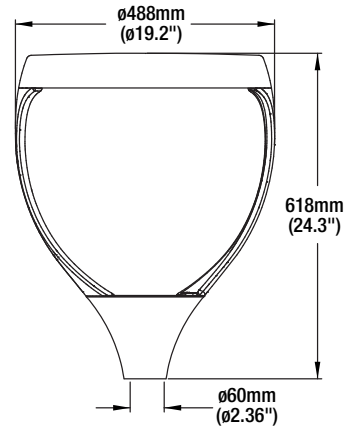
Ordering Information (continued)

Item Number	Ordering Abbreviation	Wattage (W)	Input Voltage (V)	Dimming	CRI	Color Temp (CCT)	Distribution	BUG Rating	Total Fixture Lumens	LPW	Finish	DLC	Option	MTO*
63106	POSTTOP1A/S155UNHD7SC2/T2/BZ/P	100/120/155	120-347	0-10V	>70	3000K/4000K/5000K	Type II	B3U0G3	13,600/16,000/20,500	Up to 136	Bronze	5.1 Std	Photocell	MTO
63103	POSTTOP1A/S155UNHD7SC2/T3/BZ/P	100/120/155	120-347	0-10V	>70	3000K/4000K/5000K	Type III	B3U0G3	13,600/16,000/20,500	Up to 136	Bronze	5.1 Std	Photocell	MTO
63109	POSTTOP1A/S155UNHD7SC2/T4/BZ/P	100/120/155	120-347	0-10V	>70	3000K/4000K/5000K	Type IV	B3U0G3	13,600/16,000/20,500	Up to 136	Bronze	5.1 Std	Photocell	MTO
63100	POSTTOP1A/S155UNHD7SC2/T5/BZ/P	100/120/155	120-347	0-10V	>70	3000K/4000K/5000K	Type V	B4U0G1	13,600/16,000/20,500	Up to 136	Bronze	5.1 Std	Photocell	MTO
63092	POSTTOP1A/S060UNHD7SC2/T2/GR/P	40/50/60	120-347	0-10V	>70	3000K/4000K/5000K	Type II	B2U0G2	5400/6800/8100	Up to 136	Gray	5.1 Std	Photocell	MTO
63089	POSTTOP1A/S060UNHD7SC2/T3/GR/P	40/50/60	120-347	0-10V	>70	3000K/4000K/5000K	Type III	B2U0G2	5400/6800/8100	Up to 136	Gray	5.1 Std	Photocell	MTO
63095	POSTTOP1A/S060UNHD7SC2/T4/GR/P	40/50/60	120-347	0-10V	>70	3000K/4000K/5000K	Type IV	B2U0G1	5400/6800/8100	Up to 136	Gray	5.1 Std	Photocell	MTO
63086	POSTTOP1A/S060UNHD7SC2/T5/GR/P	40/50/60	120-347	0-10V	>70	3000K/4000K/5000K	Type V	B3U0G1	5400/6800/8100	Up to 136	Gray	5.1 Std	Photocell	MTO
63093	POSTTOP1A/S090UNHD7SC2/T2/GR/P	70/80/90	120-347	0-10V	>70	3000K/4000K/5000K	Type II	B3U0G2	7350/8400/12,000	Up to 136	Gray	5.1 Std	Photocell	MTO
63090	POSTTOP1A/S090UNHD7SC2/T3/GR/P	70/80/90	120-347	0-10V	>70	3000K/4000K/5000K	Type III	B3U0G2	7350/8400/12,000	Up to 136	Gray	5.1 Std	Photocell	MTO
63096	POSTTOP1A/S090UNHD7SC2/T4/GR/P	70/80/90	120-347	0-10V	>70	3000K/4000K/5000K	Type IV	B3U0G2	7350/8400/12,000	Up to 136	Gray	5.1 Std	Photocell	MTO
63087	POSTTOP1A/S090UNHD7SC2/T5/GR/P	70/80/90	120-347	0-10V	>70	3000K/4000K/5000K	Type V	B3U0G1	7350/8400/12,000	Up to 136	Gray	5.1 Std	Photocell	MTO
63094	POSTTOP1A/S155UNHD7SC2/T2/GR/P	100/120/155	120-347	0-10V	>70	3000K/4000K/5000K	Type II	B3U0G3	13,600/16,000/20,500	Up to 136	Gray	5.1 Std	Photocell	MTO
63091	POSTTOP1A/S155UNHD7SC2/T3/GR/P	100/120/155	120-347	0-10V	>70	3000K/4000K/5000K	Type III	B3U0G3	13,600/16,000/20,500	Up to 136	Gray	5.1 Std	Photocell	MTO
63097	POSTTOP1A/S155UNHD7SC2/T4/GR/P	100/120/155	120-347	0-10V	>70	3000K/4000K/5000K	Type IV	B3U0G3	13,600/16,000/20,500	Up to 136	Gray	5.1 Std	Photocell	MTO
63088	POSTTOP1A/S155UNHD7SC2/T5/GR/P	100/120/155	120-347	0-10V	>70	3000K/4000K/5000K	Type V	B4U0G1	13,600/16,000/20,500	Up to 136	Gray	5.1 Std	Photocell	MTO

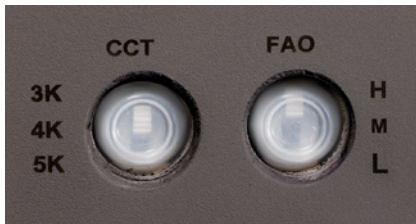
*Made To Order

Physical Information

Luminaire Description	Length (inches)	Width (inches)	Height (inches)	Weight (lbs)	EPA
POSTTOP1A	19.7	19.9	25.3	19.8	2.34



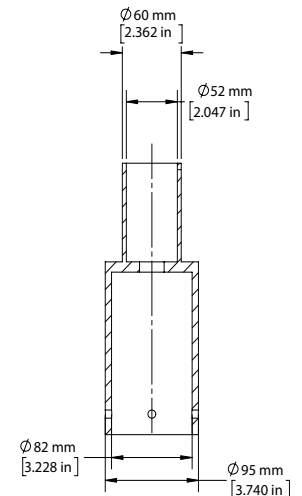
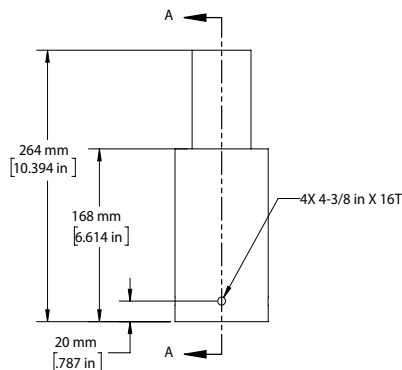
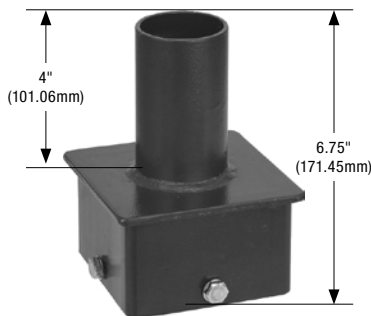
CCT/FAO Switch



	L	M	H
60W	40W	50W	60W
90W	70W	80W	90W
155W	100W	120W	155W

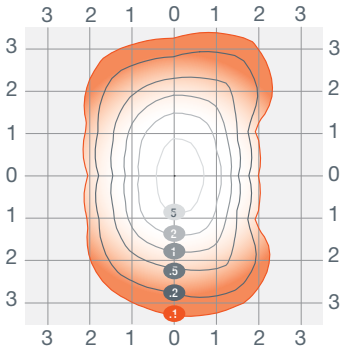
Accessory

Item Number	Ordering Abbreviation	Description
61171	BRACKET1A/POSTTENONADATPER/BZ	Steel 2 3/8" Tenon Adapter, Bronze
61172	BRACKET1A/POSTTENONADATPER/BL	Steel 2 3/8" Tenon Adapter, Black
61173	BRACKET1A/POSTTENONADATPER/GR	Steel 2 3/8" Tenon Adapter, Gray
63315	POLESQS2B/TENON/4IN/BZ	4" Tenon Mount, Bronze Finish
63316	POLESQS2B/TENON/5IN/BZ	5" Tenon Mount, Bronze Finish

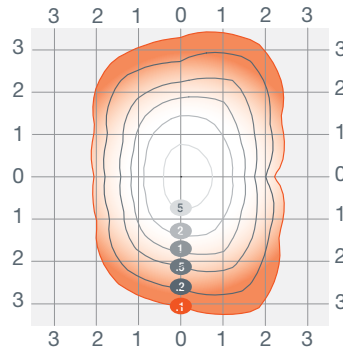


Photometric Information

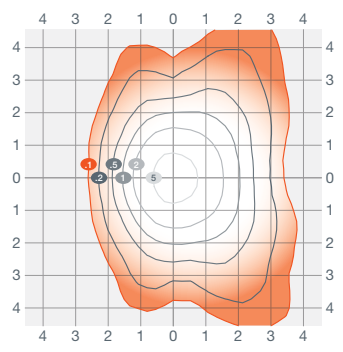
40/50/60W T2 UNH – 15ft



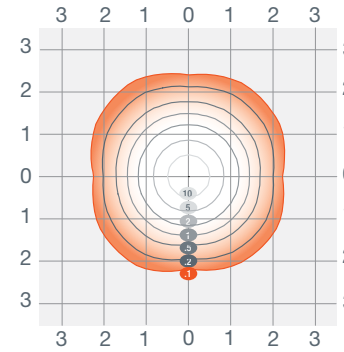
40/50/60W T3 UNH – 15ft



40/50/60W T4 UNH – 15ft



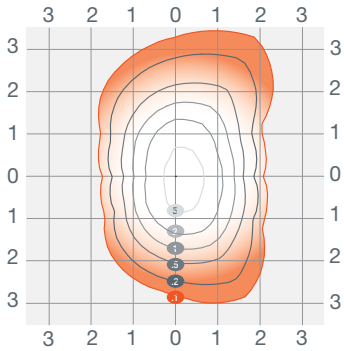
40/50/60W T5 UNH – 15ft



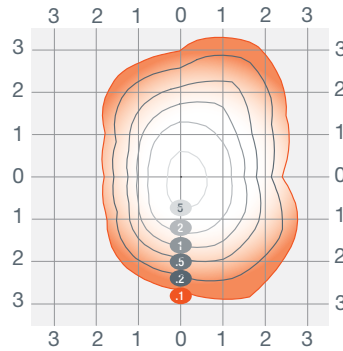
Multiplier Information

Mounting Height (Ft)	8	10	12	15	18	20
Multiplier	3.52	2.25	1.56	1.00	0.69	0.56

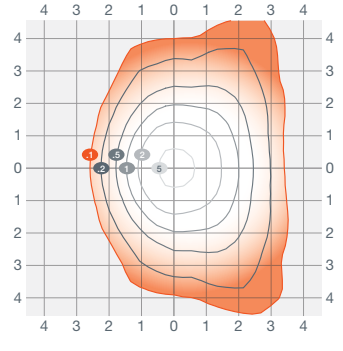
70/80/90W T2 UNH – 20ft



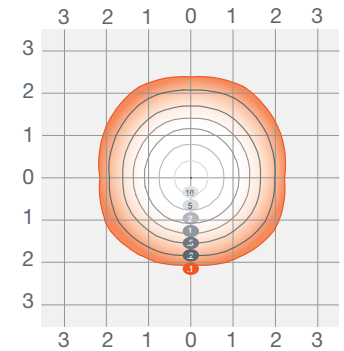
70/80/90W T3 UNH – 20ft



70/80/90W T4 UNH – 20ft



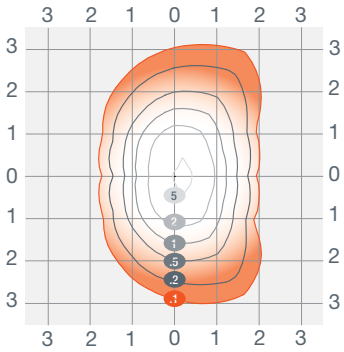
70/80/90W T5 UNH – 20ft



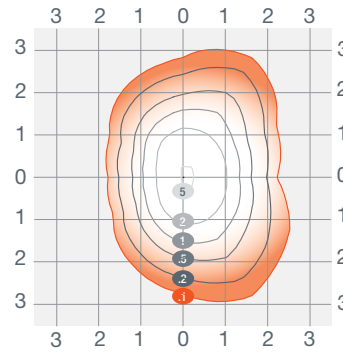
Multiplier Information

Mounting Height (Ft)	15	18	20	22	25	30
Multiplier	1.78	1.23	1.00	0.83	0.64	0.44

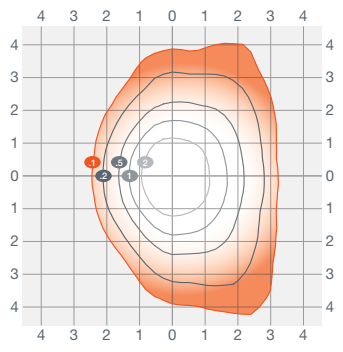
100/120/155W T2 UNH – 30ft



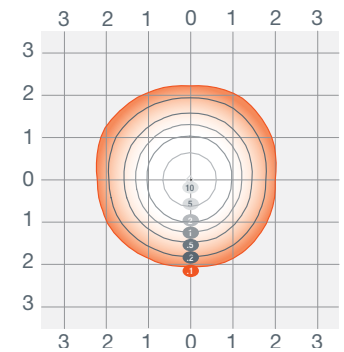
100/120/155W T3 UNH – 30ft



100/120/155W T4 UNH – 30ft



100/120/155W T5 UNH – 30ft



Multiplier Information

Mounting Height (Ft)	20	22	25	30	35	40
Multiplier	2.25	1.86	1.44	1.00	0.73	0.56

LEDVANCE LLC
 181 Ballardvale Street, Suite 203
 Wilmington, MA 01887 USA
 Phone 1-800-LIGHTBULB (1-800-544-4828)
 www.ledvanceUS.com

LEDVANCE is a registered trademark. All other trademarks are those of their respective owners. Specifications subject to change without notice.



SCAN TO FOLLOW US
 ON SOCIAL MEDIA

