

SYLVANIA Luminaires

ValueLED™ Garage

Application

The Garage luminaires are environmentally preferable LED alternatives to traditional HID luminaires, offering up to 81% in energy savings. Ideal in place of traditional luminaires, or as new installations, the ValueLED Garage series is offered in three wattages/lumen packages for use in garages, canopies, and mid bay general lighting.

Benefits and Features

- IP65 rated body with polycarbonate lens offers easy mounting, reducing installation and maintenance costs
- High color rendering and DLC Premium listing ensure energy efficiency and provide uniform and even lighting
- Up to 141 LPW
- CCT Selectable (3000K, 4000K, or 5000K) enabled through switch located inside fixture
- CRI >80
- Offered in 25, 40, and 55 watts
- Type V distribution
- Energy savings up to 88%

Electrical

- 120-277VAC
- Power Factor >90%
- THD <20%
- Continuous 0-10V dimmable down to 10%
- Constant current LED driver with 10kV surge suppression

Rated Life

- 125,000 hours (L₇₀) @25°C

Warranty

- 5-year
- NLB Trusted Warranty Program

Ambient Operating Range

- -22°F to +113°F (-30°C to +45°C)

Certifications and Listings

- cULus listed to UL1598 standards, wet location
- RoHS
- FCC/ICES
- DLC 5.1 Premium

Item #
Type
Project
Notes
Date



Wattage Comparison

Traditional Source	Traditional System Wattage	LED System Wattage	Energy Savings
35W HPS	42	25	40%
50W HPS	62	25	60%
70W HPS	91	25	73%
70W HPS	91	40	56%
100W HPS	120	25	79%
100W MH	130	25	81%
100W HPS	120	40	67%
100W MH	130	40	69%
150W HPS	170	25	85%
150W MH	188	25	87%
150W HPS	170	40	76%
150W MH	188	40	79%
150W HPS	170	55	68%
150W MH	188	55	71%
175W MH	210	25	88%
175W MH	210	40	81%
175W MH	210	55	74%
250W MH	290	40	86%
250W MH	290	55	81%

Installation

- Easy installation directly to 3/4" pipe or back plate to junction box



Ordering Guide

GARAG	2A	/ OXX	UNV	D	8	SC2	/ 10R	5	WH	/ X
Product Name	Generation	Wattage	Voltage	Dimming	CRI	Color Temp	Dimensions	Distribution	Color / Finish	Options
GARAG = Garage Luminaire	2A = Generation 2A	025 = 25 Watts 040 = 40 Watts 055 = 55 Watts	120-277V	D = 0-10V Dimming	8 = >80	SC2 = 3000, 4000 or 5000K	10R = 10" diameter, round	5 = Type V Distribution	WH = White	Blank = no options D = Daylight / Motion Sensor

Ordering Information

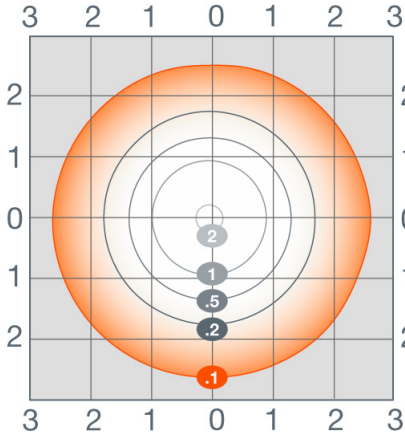
Item Number	Ordering Abbreviation	Wattage (W)	Input Voltage (V)	Dimming	CRI	Color Temperature (CCT)	Distribution	Total Fixture Lumens	LPW	DLC*	Options
61744	GARAG2A/025UNVD8SC2/10R5/WH	25	120-277	0-10V	>80	3000, 4000 or 5000K	Type V	3300	141	Prm	–
61745	GARAG2A/040UNVD8SC2/10R5/WH	40	120-277	0-10V	>80	3000, 4000 or 5000K	Type V	5333	138	Prm	–
61746	GARAG2A/055UNVD8SC2/10R5/WH	55	120-277	0-10V	>80	3000, 4000 or 5000K	Type V	7500	138	Prm	–
61747	GARAG2A/025UNVD8SC2/10R5/WH/D	25	120-277	0-10V	>80	3000, 4000 or 5000K	Type V	3300	141	Prm	Daylight/Motion Sensor
61748	GARAG2A/040UNVD8SC2/10R5/WH/D	40	120-277	0-10V	>80	3000, 4000 or 5000K	Type V	5333	138	Prm	Daylight/Motion Sensor
61749	GARAG2A/055UNVD8SC2/10R5/WH/D	55	120-277	0-10V	>80	3000, 4000 or 5000K	Type V	7500	138	Prm	Daylight/Motion Sensor

*Prm for DLC Premium

Photometric Data

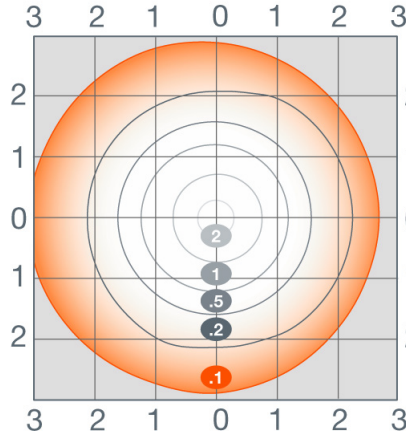
GARAG2A/025UNVD8SC2/10R5

Isofootcandle Lines at 12' Mounting Height



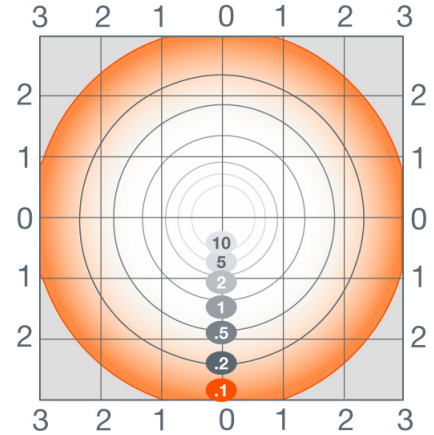
GARAG2A/040UNVD8SC2/10R5

Isofootcandle Lines at 12' Mounting Height



GARAG2A/055UNVD8SC2/10R5

Isofootcandle Lines at 12' Mounting Height

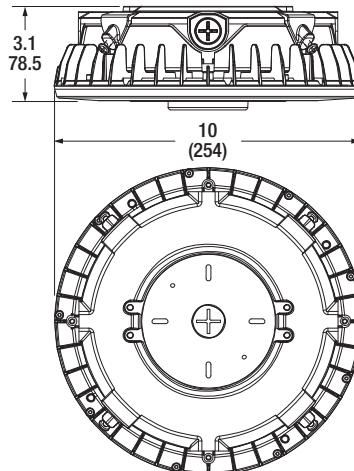


For other mounting heights apply the following multipliers:

Mounting Height	8'	10'	12'	15'	18'
Multiplier	2.25	1.44	1.00	0.64	0.44

Physical Information

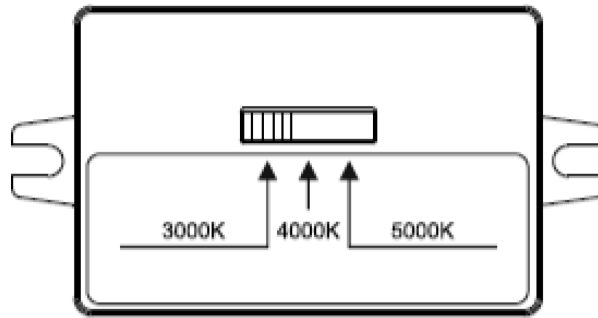
Luminaire Description	Diameter	Height
Garage Luminaire	10" (254mm)	3.1" (78.5mm)



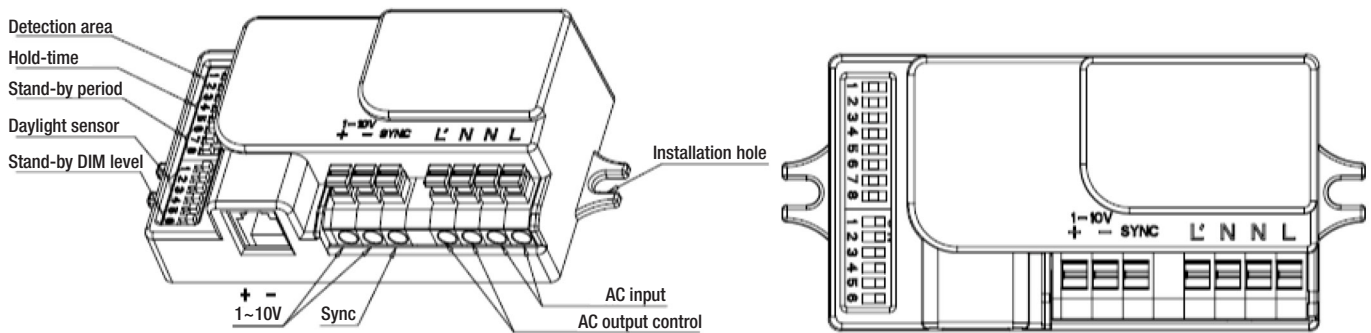
Dimensions in inches (mm)

Adjusting the Color Temperature

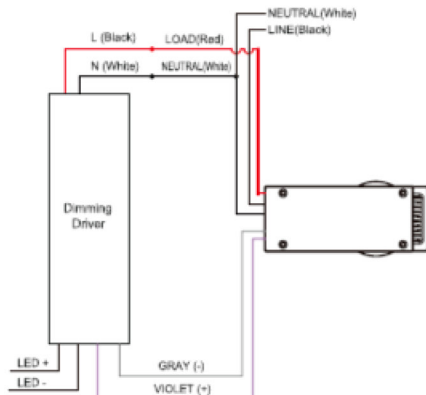
The correlated color temperature of the ValueLED™ Garage luminaire can be adjusted by toggling between the switch located on the inside of the luminaire. Use the sliding switch to select the desired correlated color temperature.



Wiring Diagrams



BR1823-B-D wiring with LED driver
Dimming Driver




Cleaning and Maintenance

- To maintain the fixture efficacy occasional cleaning of the outer lens surface may be needed.
- Use a mild soap or detergent, which is essentially neutral pH (pH approximately 6 to 8), nonabrasive, and which contains no chlorinated or aromatic hydrocarbons.
- Wash thoroughly using a soft cloth.
- Rinse with clean, cold water and wipe dry.




Adjusting the Daylight/Motion Sensor Settings

ON ↑ 		1	2	
	I	ON	ON	100%
	II	ON	-	75%
	III	-	ON	50%
	IV	-	-	25%

Detection area

Detection area can be reduced by selecting the combination on the DIP switches to fit precisely each application.


Factory setting: I

ON ↑ 		3	4	5	
	I	ON	ON	ON	5S
	II	-	ON	ON	30S
	III	ON	-	ON	90S
	IV	-	-	ON	3min
	V	ON	ON	-	20min
	VI	-	-	-	+∞

Hold time

Refers to the time period the lamp remains at 100% Illumination after no motion detected.


Factory setting: VI

ON ↑ 		6	7	8	
	I	ON	ON	ON	0S
	II	-	ON	ON	5S
	III	ON	-	ON	5min
	IV	-	-	ON	10min
	V	ON	ON	-	30min
	VI	-	ON	-	1h
	VII	-	-	-	+∞

Stand-by period

Refers to the time period the lamp remains at a low light level before it completely switches off in the long absence of people. When set to Disable mode, the low light is maintained until motion is detected.


Factory setting: I

ON ↑ 		1	2	
	I	ON	ON	50%
	II	-	ON	30%
	III	ON	-	20%
	IV	-	-	10%

Stand-by dimming level

The low light level you would like to have after the hold time in the long absence of people.

Factory setting: I

ON ↑ 		3	4	5	6	
	I	ON	ON	ON	ON	5Lux
	II	-	ON	ON	ON	15Lux
	III	ON	-	ON	ON	30Lux
	IV	-	-	ON	ON	50Lux
	V	ON	ON	-	ON	100Lux
	VI	ON	ON	ON	-	150Lux
	VII	-	-	-	-	Disable

Daylight sensor

The sensor can be set to only allow the lamp to illuminate below a defined ambient brightness threshold.

When set to Disable mode, the daylight sensor will switch on the lamp when motion is detected regardless of ambient light level.

150 lux, 100 lux, 50 lux, 30 lux: twilight operation. 15 lux, 5 lux: darkness operation only.

Note that daylight sensor is active only when lamp totally switches off.

Factory setting: VII

LEDVANCE LLC
181 Ballardvale Street
Wilmington, MA 01887 USA
Phone 1-800-LIGHTBULB (1-800-544-4828)
www.ledvanceUS.com

SYLVANIA and LEDVANCE are registered trademarks.
All other trademarks are those of their respective owners.
Licensee of product trademark SYLVANIA in general lighting.
Specifications subject to change without notice.



/sylvania



/sylvania

Name: _____

Email: _____

Phone: _____

