

# EB-Certalume for TL-D lamps

## EB-Ci 1-2 36W / 1-4 18W 220-240V 50/60Hz

Affordable, reliable, high-frequency electronic ballast for TL-D fluorescent lamps, ideal alternative to electromagnetic fluorescent systems. The cost-saving and reliable EB-C has energy efficiency class A2, and its robust design meets all necessary international standards for safety and EMC. The ballast is primarily designed for Indoor application. For outdoor application, the luminaire should be minimum Classland need to be sufficiently protected against water & dust. The installation should also be guard against any lightening surge or any other necessary electrical protection as deemed in such typical installation & application.

### Product data

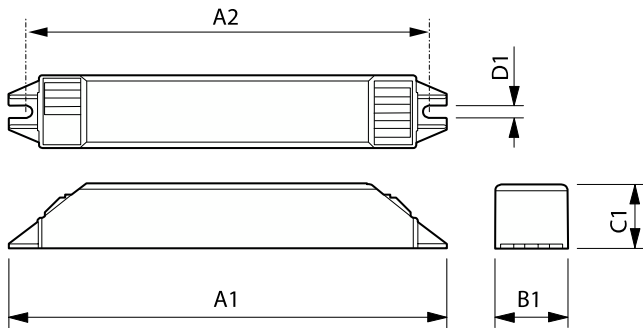
Operating and Electrical		T-Case Maximum (Max)	
Input Voltage	220-240 V		75 °C
Input Frequency	50 or 60 Hz	Mechanical and Housing	
Earth Leakage Current (Max)	0.5 mA	Housing Material	Plastic
Inrush Current Width	0.35 ms	Housing	L210x30x26mm
Inrush Current Peak (Max)	19 A	Ingress protection code	IP20 [Finger-protected]
Number of Products on MCB (16A Type B) (Max)	28	Net Weight (Piece)	0.080 kg
Wiring		Approval and Application	
Connector Type Input Terminals	Insert	Energy Efficiency Index	A2
Connector Type Output Terminals	Insert	Safety Standard	IEC 61347-2-3, IEC 61347-1
Connector Type	Insert	Environmental Standard	ISO 14001
Temperature		Approval Marks	CB Certificate CCC certificate TISI marking PSB certification RCM compliance CS Compliance IRAM SNI Certificate
T-Case Lifetime (Max)	75 °C		

## EB-Certalume for TL-D lamps

Product Data	
Order product name	EB-Ci 1-2 36W / 1-4 18W 220-240V 50/60Hz
Full product name	EB-Ci 1-2 36W / 1-4 18W 220-240V 50/60Hz
Full product code	694793913353600
Order code	913713043180

Material Nr. (12NC)	913713043180
Numerator - Quantity Per Pack	1
EAN/UPC - Product/Case	6947939133536
Numerator - Packs per outer box	30
EAN/UPC - Case	6947939133543

### Dimensional drawing



Product	A1	A2	B1	C1	D1
EB-Ci 1-2 36W / 1-4 18W 220-240V 50/60Hz	210 mm	200 mm	30 mm	26 mm	4.3 mm

