

PRODUCT DATASHEET

L 36 W/765

Basic T8 | Tubular fluorescent lamps 26 mm, with G13 bases



TECHNICAL DATA

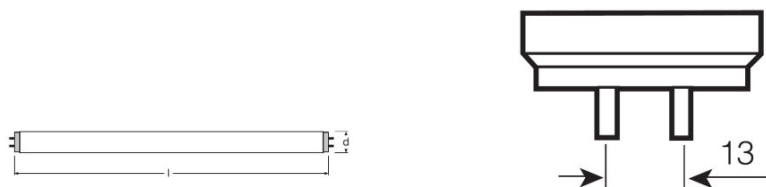
Electrical data

Nominal voltage	220 V
Rated wattage	36.00 W
Nominal wattage	36.00 W
Lamp current	0.43 A

Photometrical data

Color rendering index Ra	≥70
Rated luminous flux	2500 lm
Luminous flux at 25 °C	2500 lm
Light color	765
Rated color temperature	6500 K
Nominal luminous flux	2500 lm
Light color (designation)	Cool Daylight
Color temperature	6500 K
Luminous flux	2500 lm
Color rendering index Ra	≥70

Dimensions & weight



G13
IEC 7004-51
DIN 49653 T1

Tube diameter	26 mm
Length	1200 mm
Length with base excl. base pins/connection	1200.00 mm
Diameter	26.0 mm

Lifespan

Service life	5000 h
Lifespan	13000 h ¹⁾
Rated lamp life time	13000 h

Nominal lamp life time	13000 h
-------------------------------	---------

1) With CCG/LLCG

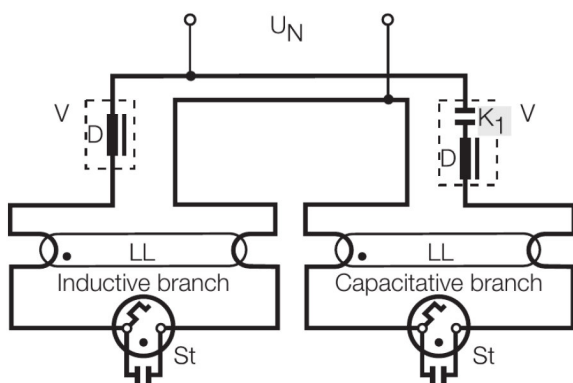
Additional product data

Base (standard designation)	G13
Mercury content	9.0 mg
Show WEEE picto	Yes

Certificates & standards

Energy efficiency class	A
Energy consumption	43 kWh/1000h

Wiring Diagram



Wiring diagram

LOGISTICAL DATA

Product code	Packaging unit (Pieces/Unit)	Dimensions (length x width x height)	Gross weight	Volume
4008321966285	Sleeves 1	1215 mm x 29 mm x 29 mm	198.00 g	1.02 dm ³
4008321966292	Shipping carton box 25	1253 mm x 151 mm x 153 mm	5301.00 g	28.95 dm ³

The mentioned product code describes the smallest quantity unit which can be ordered. One shipping unit can contain one or more single products. When placing an order, for the quantity please enter single or multiples of a shipping unit.

DISCLAIMER

Subject to change without notice. Errors and omission excepted. Always make sure to use the most recent release.