

Independent Electronic Ballasts for HI Lamps 35 und 70 W

Casing: heat-resistant polycarbonate
 Easy connection by plug-in connector
 primary: GST18 1-coded/black with locking
 secondary: ST18 0-coded
 Power factor: 0.95
 Ignition voltage: max. 5 kV
 Operation frequency: 173 Hz
 Total harmonic distortion: < 10 %
 Temperature protection
 Constant power consumption
 Protection against "no load" operation
 For luminaires of protection class I and II
 Degree of protection: IP20
 Permissible load capacity: 20–120 pF
 RFI-suppressed
 Fixing brackets for screws M4 for base mounting
 Energy efficiency: A2 (step 3 of minimum EU energy efficiency requirements as of 2017)



Additional Technical Features



The electronic ballast is protected against transient mains peaks up to 2.5 kV.

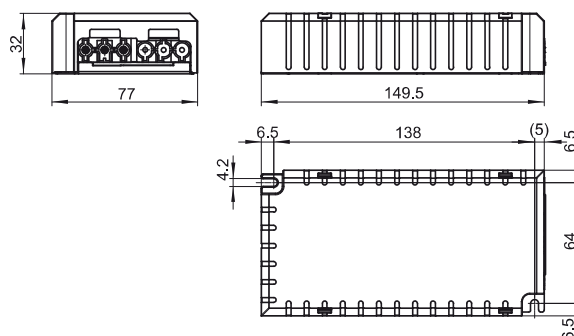


Overheating protection with VS thermal cut-out system with automatic reset which evaluates the temperature of the ballast.



At lamp operation voltage of > 120 V the electronic ballast will switch itself off.

K36



Lamp				Electronic ballast							System	
Output W	Type	Base	Power consumption W	Type	Ref. No.	Voltage AC 50, 60 Hz V ±10%	Mains current A	Ambient temperature t _a (°C)	Casing temperature t _c (°C)	Weight g	Output W	
new >> 1x35	HI	GU6.5 G8.5, GX8.5 G12, E27 E40, RX7s	1 x 39	EHXc 35.339	188919	220–240	0.20–0.18	–20 to 55	max. 75	250	43	
new >> 1x70	HI	GU6.5 G8.5, GX8.5 G12, E27 E40, RX7s	1 x 73	EHXc 70.340	188920	220–240	0.36–0.34	–20 to 50	max. 75	250	80	

Circuit diagrams see page 385